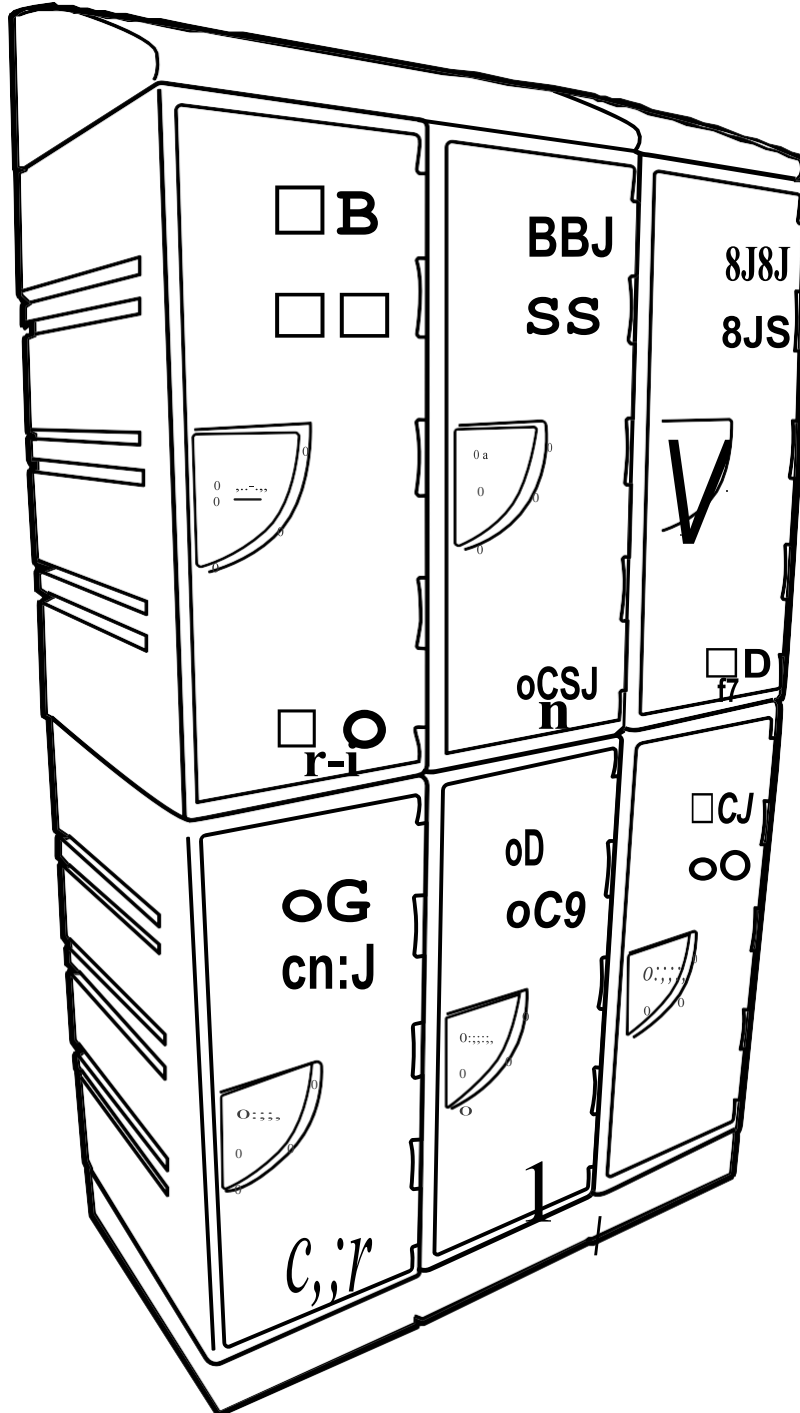


LOCKER BANK.



INSTALLATION GUIDE.

LOCKER INSTALLATION:

PLEASE READ CAREFULLY AND ENSURE ALL SAFETY PRECAUTIONS ARE FULLY CONSIDERED WHEN PLANNING YOUR DESIGN FOR THE INSTALLATION OF FSP LOCKERS, INCLUDING BUT NOT LIMITED TO:

- 1 - EGRESS**
- 2 - Access to services**
- 3 - Drainage**
- 4 - Electrical**
- 5 - Fire safety**
- 6 - Ventilation in case of fire**
- 7 - Positioning to help prevent fire spread**

IN PARTICULAR:

DO NOT: Block or impede exits, including doorways, lifts, stairwells, and passageways.

DO NOT: Impede pedestrian flow through.

DO NOT: Install over drainage grates.

DO NOT: Cover or obstruct manholes or service access areas.

DO NOT: Block electrical sub-boards or meter access.

**DO NOT: Impede access to Fire safety equipment.
Including fire cabinets, fire extinguishers, fire hydrants and fire hose reels.
Please ensure a clear passageway for suitable extension of fire hose.**

LOCKERS INSTALLED IN OPEN OR NON-LOCKABLE ENVIRONMENTS; ESPECIALLY IF ARSON IS LIKELY:

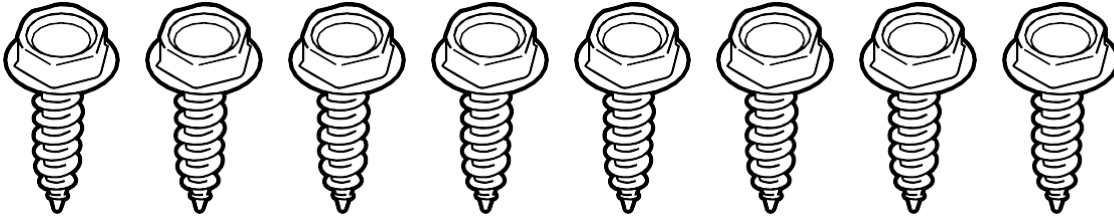
- Installations in external non-lockable areas possibly subject to arson should be adapted to allow adequate ventilation around lockers.**
- Banks of lockers or lockers placed adjacent to other flammable materials should be installed with preferably a four-meter (4m) distance to reduce the risk of fire spread**
- We also recommend that individual locker doors be locked overnight, to help prevent materials inside from being used as fuel, and prevent fires being set within the locker compartment itself.**

WHERE POSSIBLE HAVE LOCKERS CONTAINED WITHIN A SECURE, LOCKABLE OR NON-ACCESSIBLE AREA AFTER HOURS OR WHEN UNATTENDED.

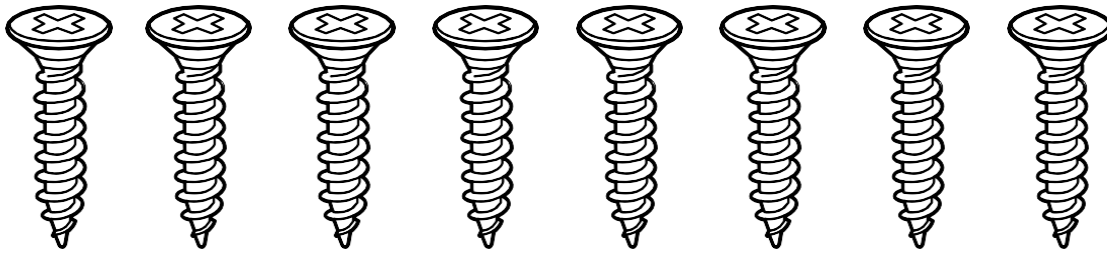
FOR FURTHER QUESTIONS OR QUERIES DO NOT HESITATE TO CONTACT US DIRECTLY.

WHAT YOU WILL NEED:

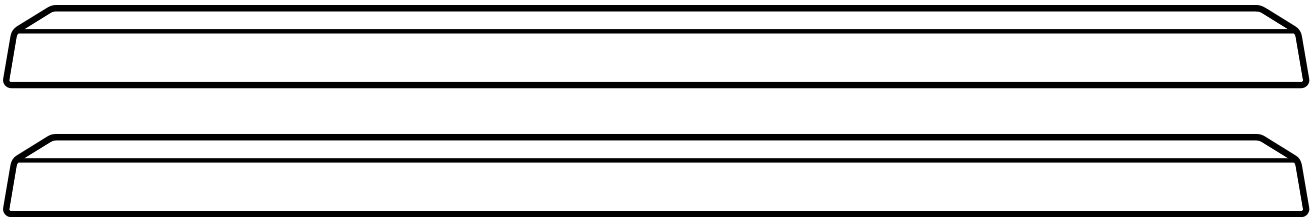
Hex Screws (10-12 x 20mm)



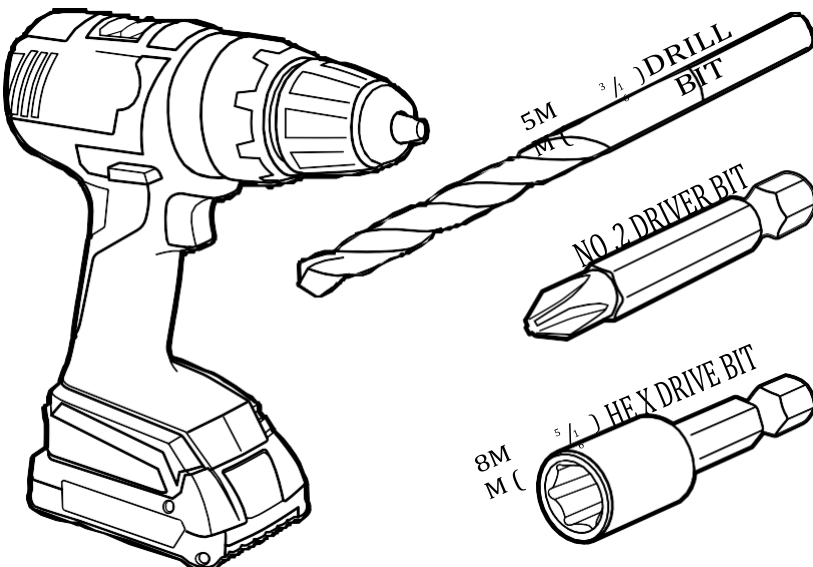
Countersunk Screws (8-10 x 35mm)



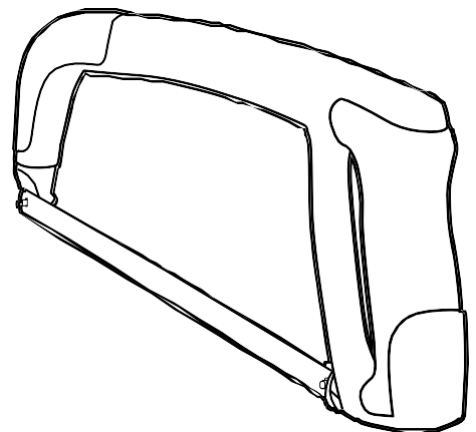
PVC Support Baton /s



Power Drill + Attachments



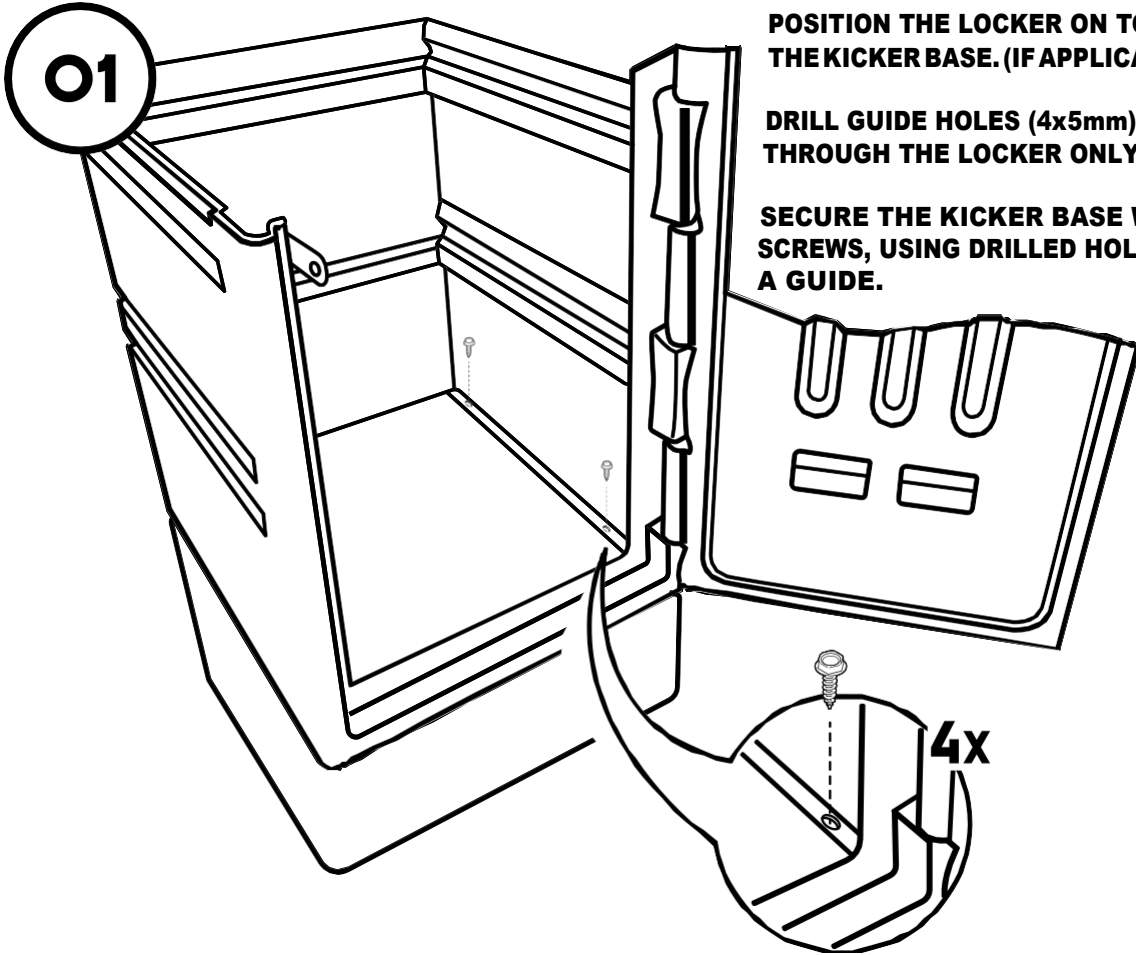
Hack saw



NOTE:

Quantity requirements will vary dependent on the amount and style of lockers you have chosen to purchase and assemble.

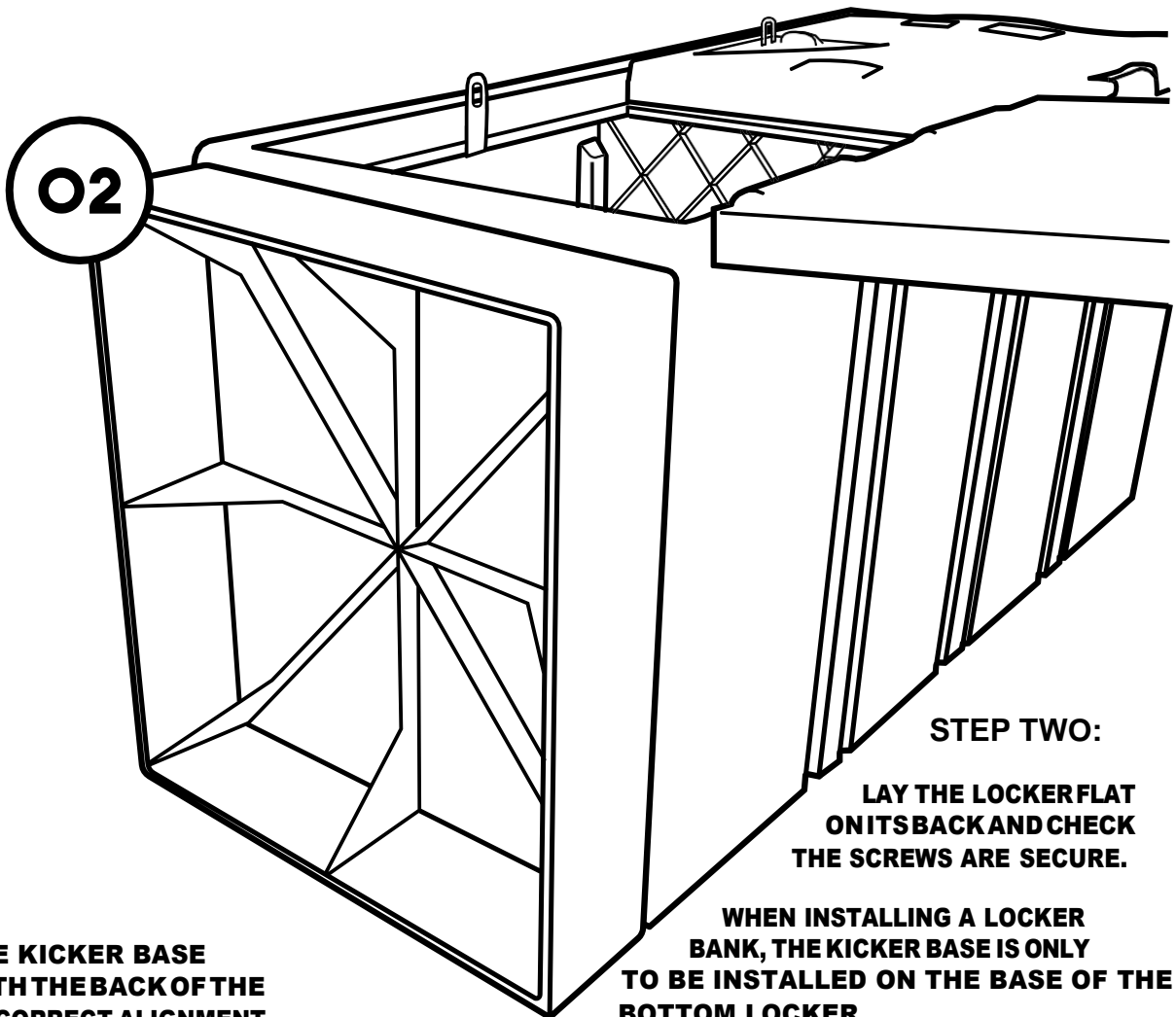
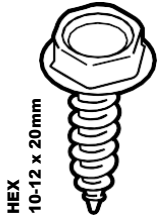
STEP ONE:



POSITION THE LOCKER ON TOP OF THE KICKER BASE. (IF APPLICABLE)

DRILL GUIDE HOLES (4x5mm) THROUGH THE LOCKER ONLY.

SECURE THE KICKER BASE WITH SCREWS, USING DRILLED HOLES AS A GUIDE.



STEP TWO:

LAY THE LOCKER FLAT ON ITS BACK AND CHECK THE SCREWS ARE SECURE.

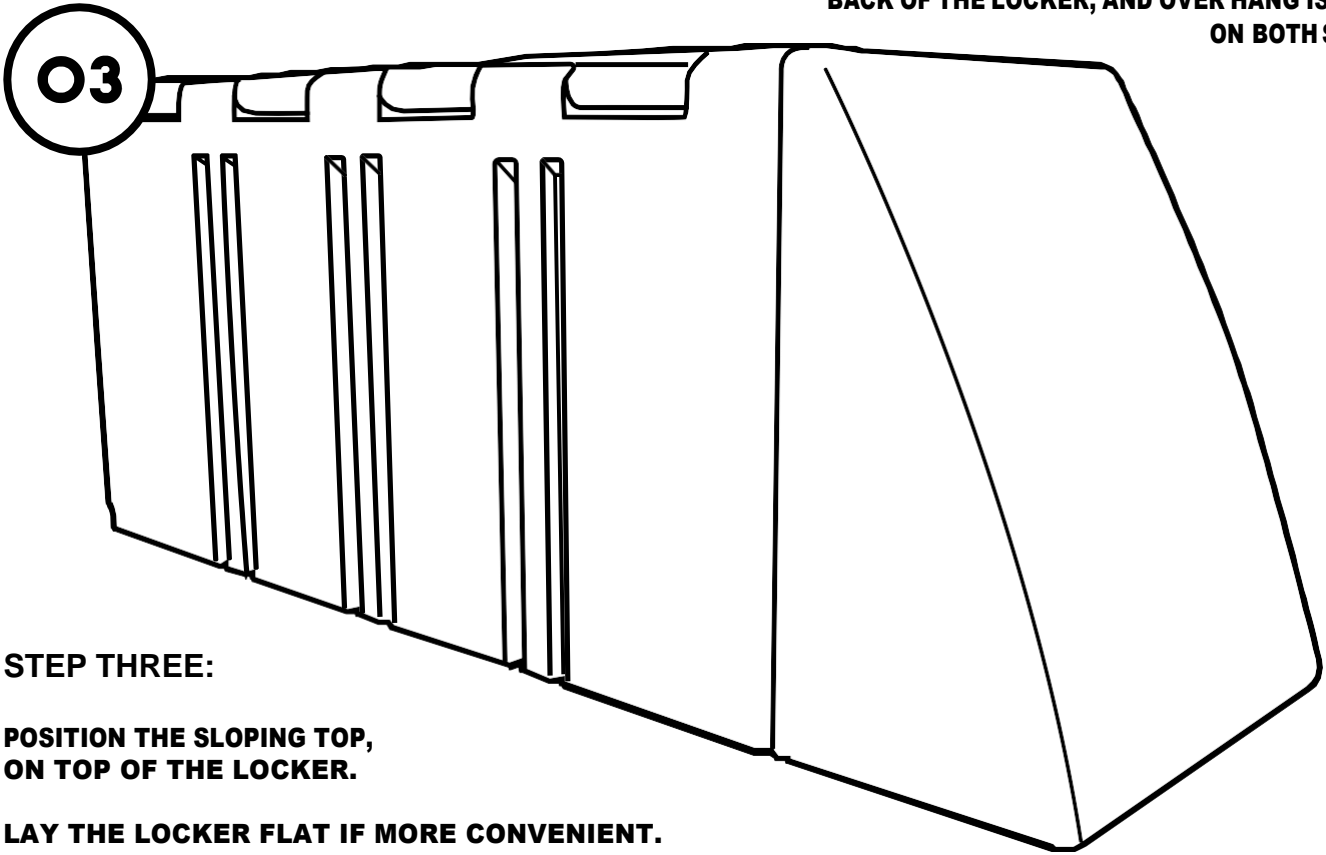
WHEN INSTALLING A LOCKER BANK, THE KICKER BASE IS ONLY TO BE INSTALLED ON THE BASE OF THE BOTTOM LOCKER.

NOTE:

ENSURE THE KICKER BASE IS FLUSH WITH THE BACK OF THE LOCKER FOR CORRECT ALIGNMENT.

NOTE:

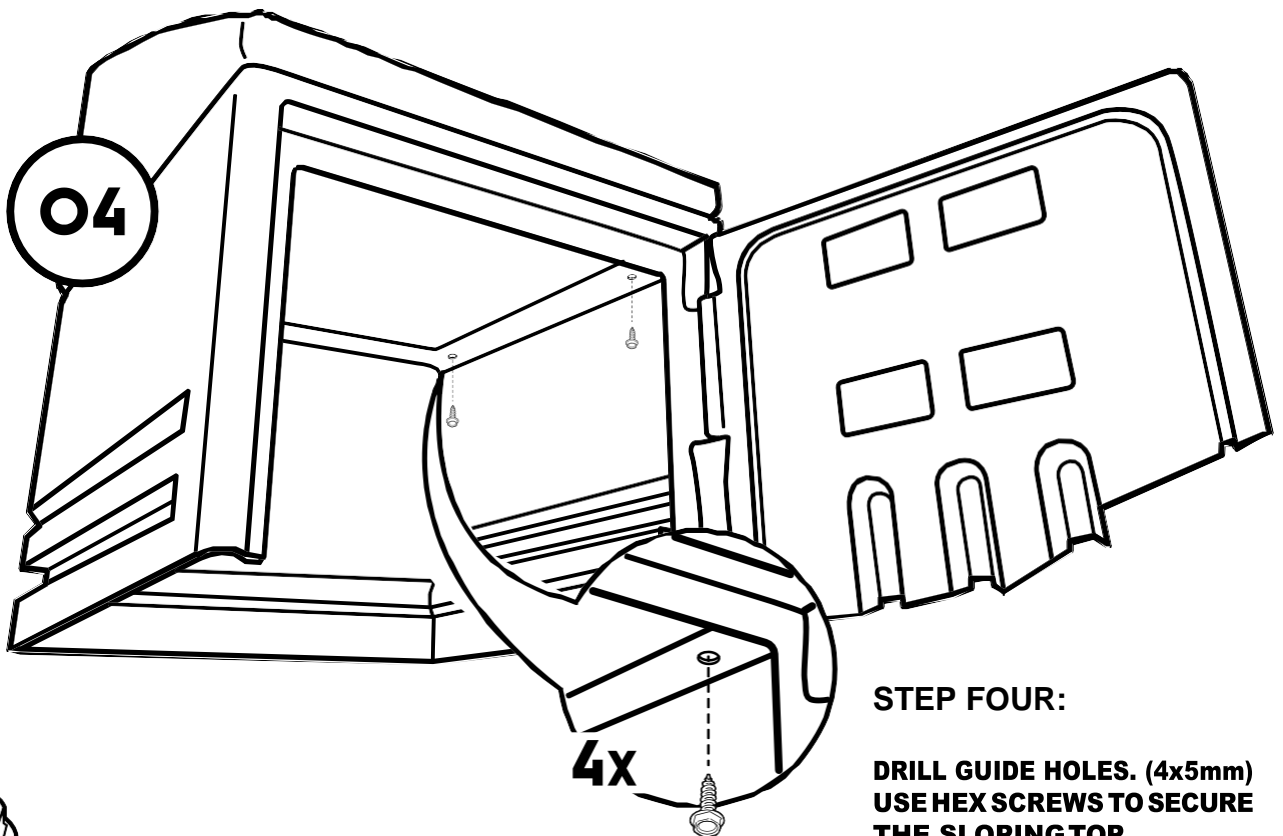
**ENSURE THE SLOPING TOP IS FLUSH WITH THE
BACK OF THE LOCKER, AND OVER HANG IS EVEN
ON BOTH SIDES.**



STEP THREE:

**POSITION THE SLOPING TOP,
ON TOP OF THE LOCKER.**

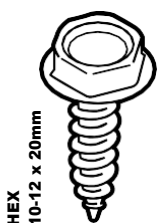
LAY THE LOCKER FLAT IF MORE CONVENIENT.



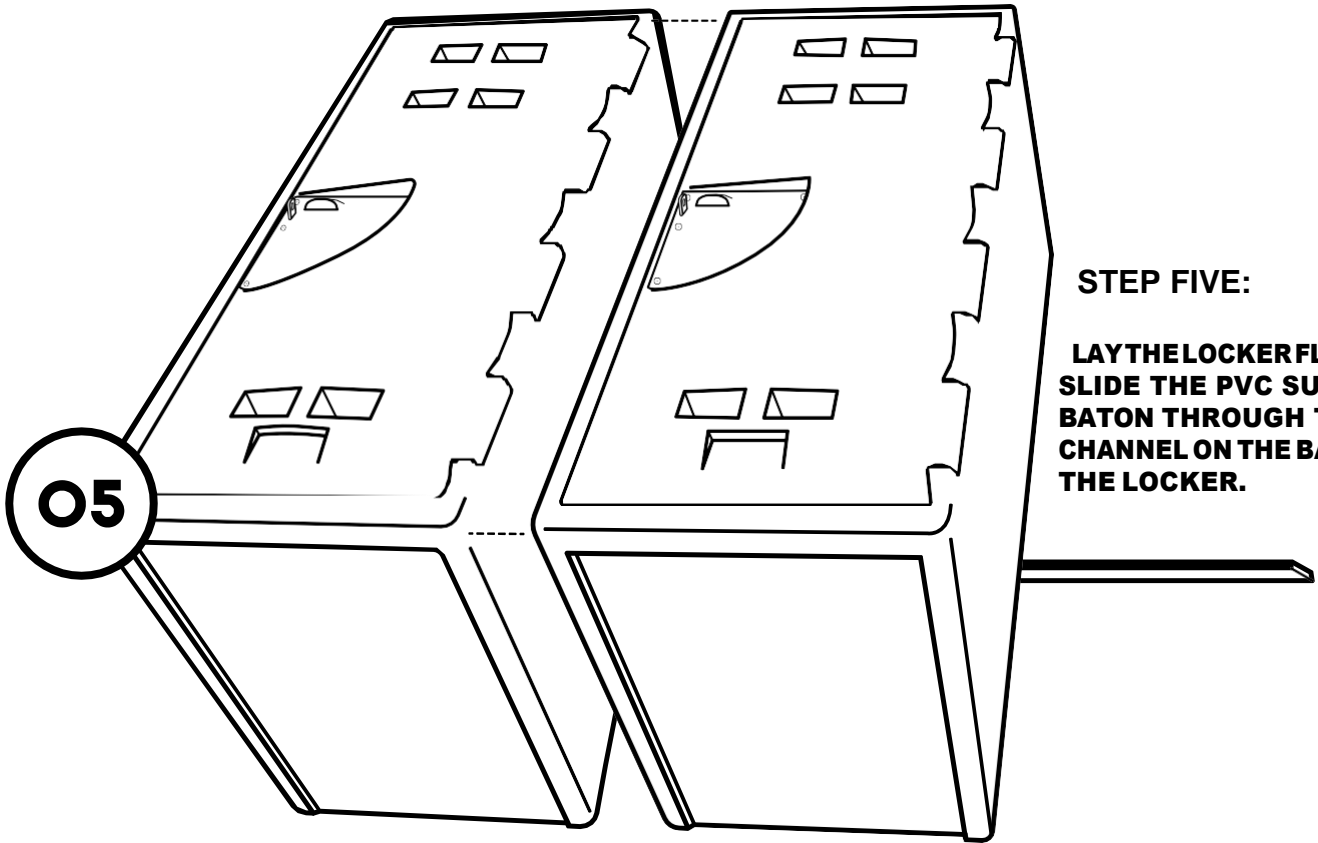
STEP FOUR:

**DRILL GUIDE HOLES. (4x5mm)
USE HEX SCREWS TO SECURE
THE SLOPING TOP.**

**WHEN INSTALLING A LOCKER
BANK, THE SLOPING TOP IS
ONLY TO BE INSTALLED ON THE
TOP OF THE LOCKER.**

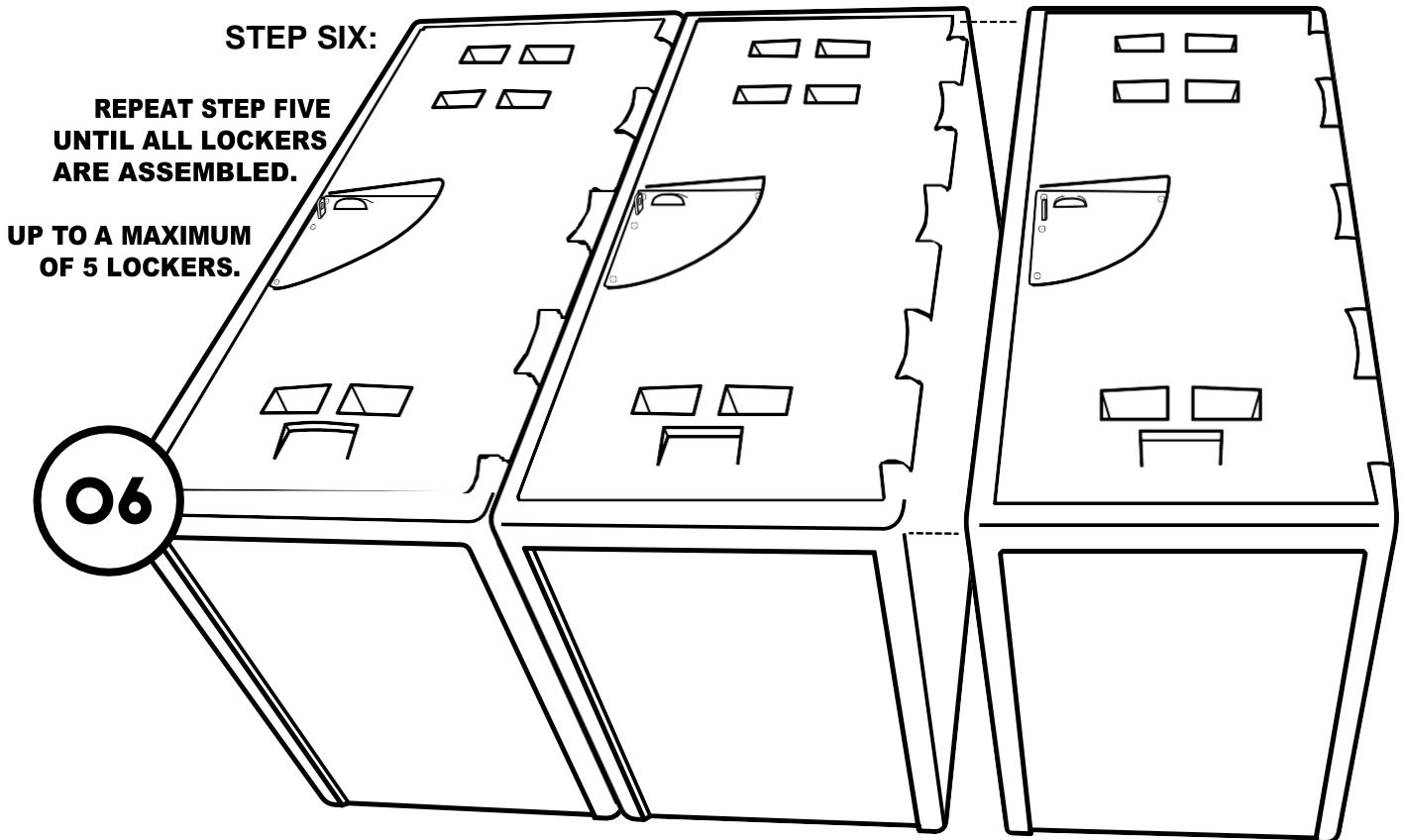


**HEX
10-12 x 20mm**



STEP FIVE:

LAY THE LOCKER FLAT AND SLIDE THE PVC SUPPORT BATON THROUGH THE CHANNEL ON THE BACK OF THE LOCKER.



STEP SIX:

REPEAT STEP FIVE UNTIL ALL LOCKERS ARE ASSEMBLED.

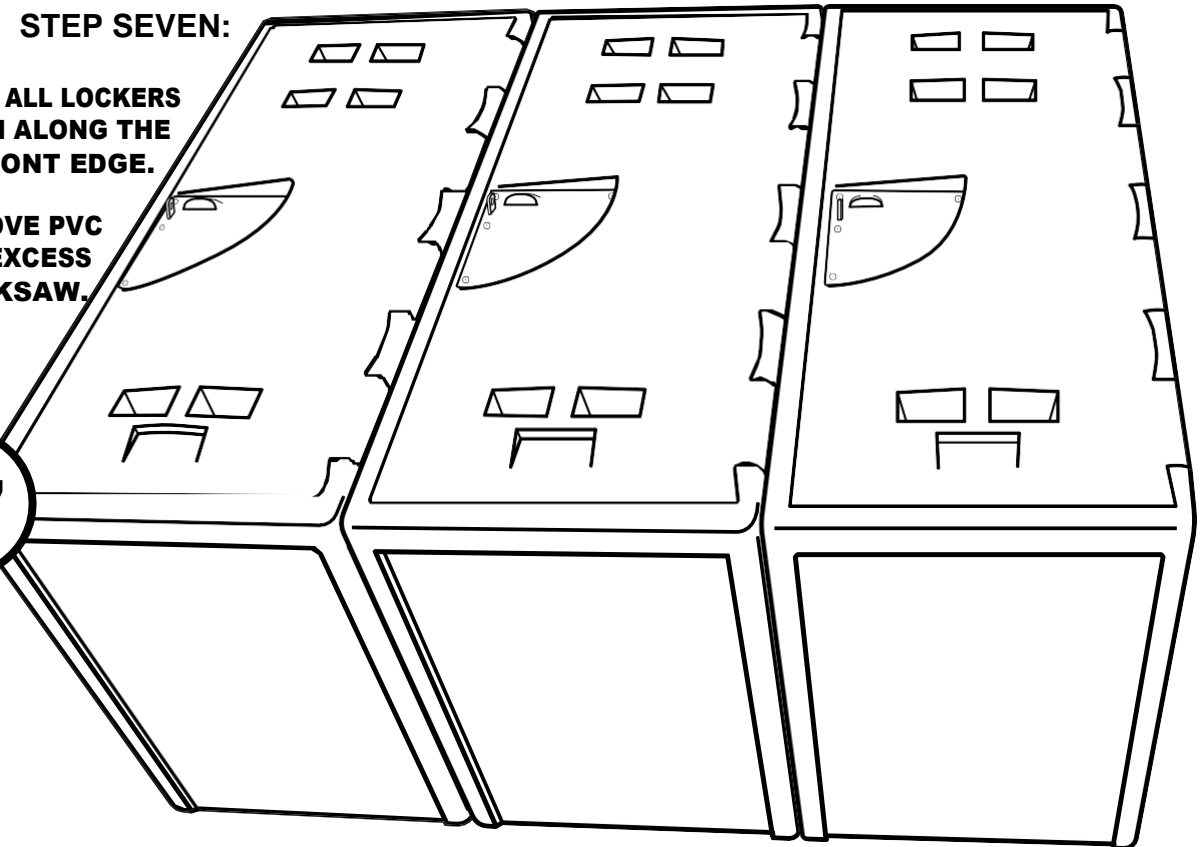
UP TO A MAXIMUM OF 5 LOCKERS.

STEP SEVEN:

**CHECK ALL LOCKERS
ARE FLUSH ALONG THE
FRONT EDGE.**

**REMOVE PVC
BATON EXCESS
WITH A HACKSAW.**

07



NOTE:

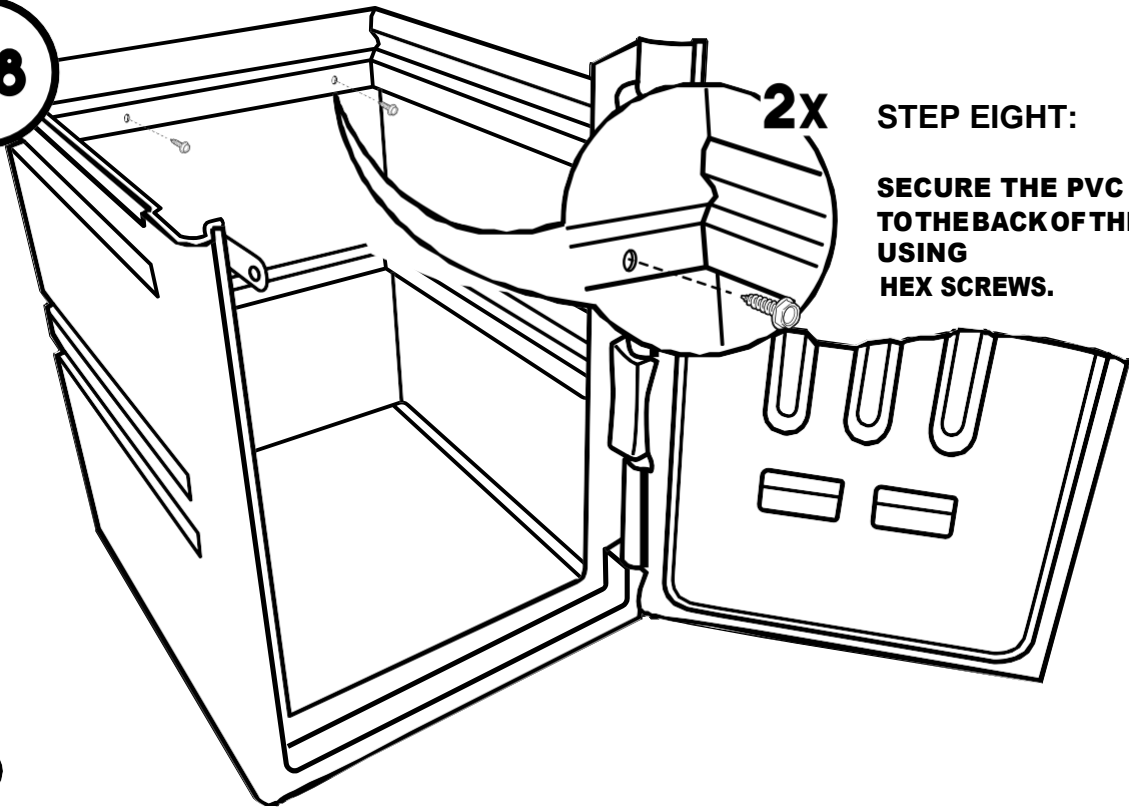
**TAKE CARE WHEN MANEUVERING
JOINED LOCKERS.
DO NOT ATTEMPT TO MOVE JOINED
LOCKERS WITHOUT ASSISTANCE.**

08

2X

STEP EIGHT:

**SECURE THE PVC BATON
TO THE BACK OF THE LOCKERS
USING
HEX SCREWS.**

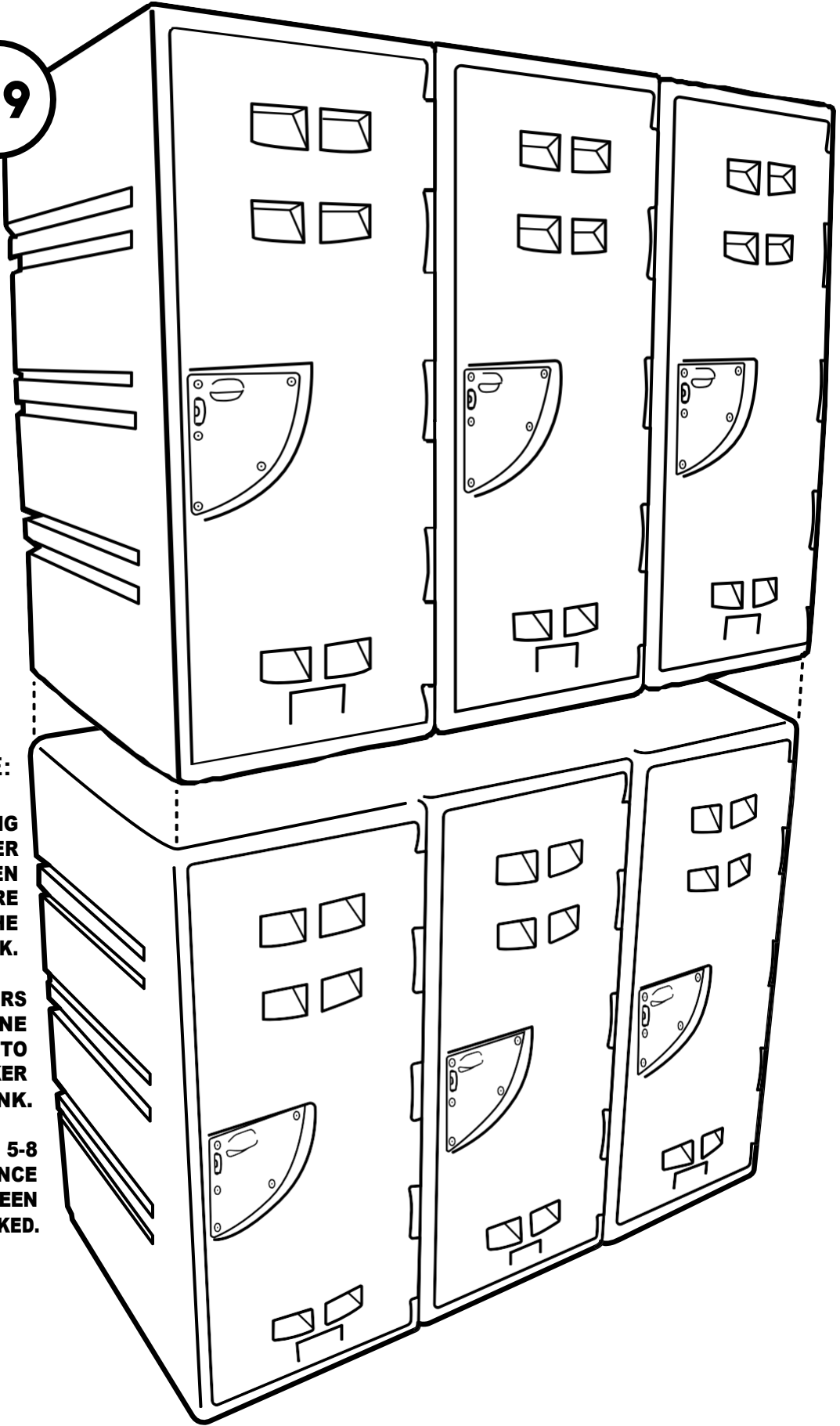


**HEX
10-12 x 20mm**

NOTE:

**DUE TO THE SHAPE OF THE LOCKERS
SMALL GAPS ALONG THE VERTICAL JOINT AT
THE BACK OF THE LOCKER BANK
ARE TO BE EXPECTED.**

09



STEP NINE:

ENSURE SLOPING TOPS AND KICKER BASES HAVE BEEN INSTALLED BEFORE ASSEMBLING THE LOCKER STACK.

STACK LOCKERS ON TOP OF ONE ANOTHER TO CREATE THE LOCKER BANK.

REPEAT STEPS 5-8 IF NEEDED ONCE LOCKERS HAVE BEEN STACKED.

NOTE:

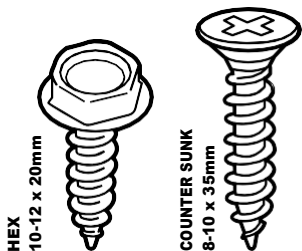
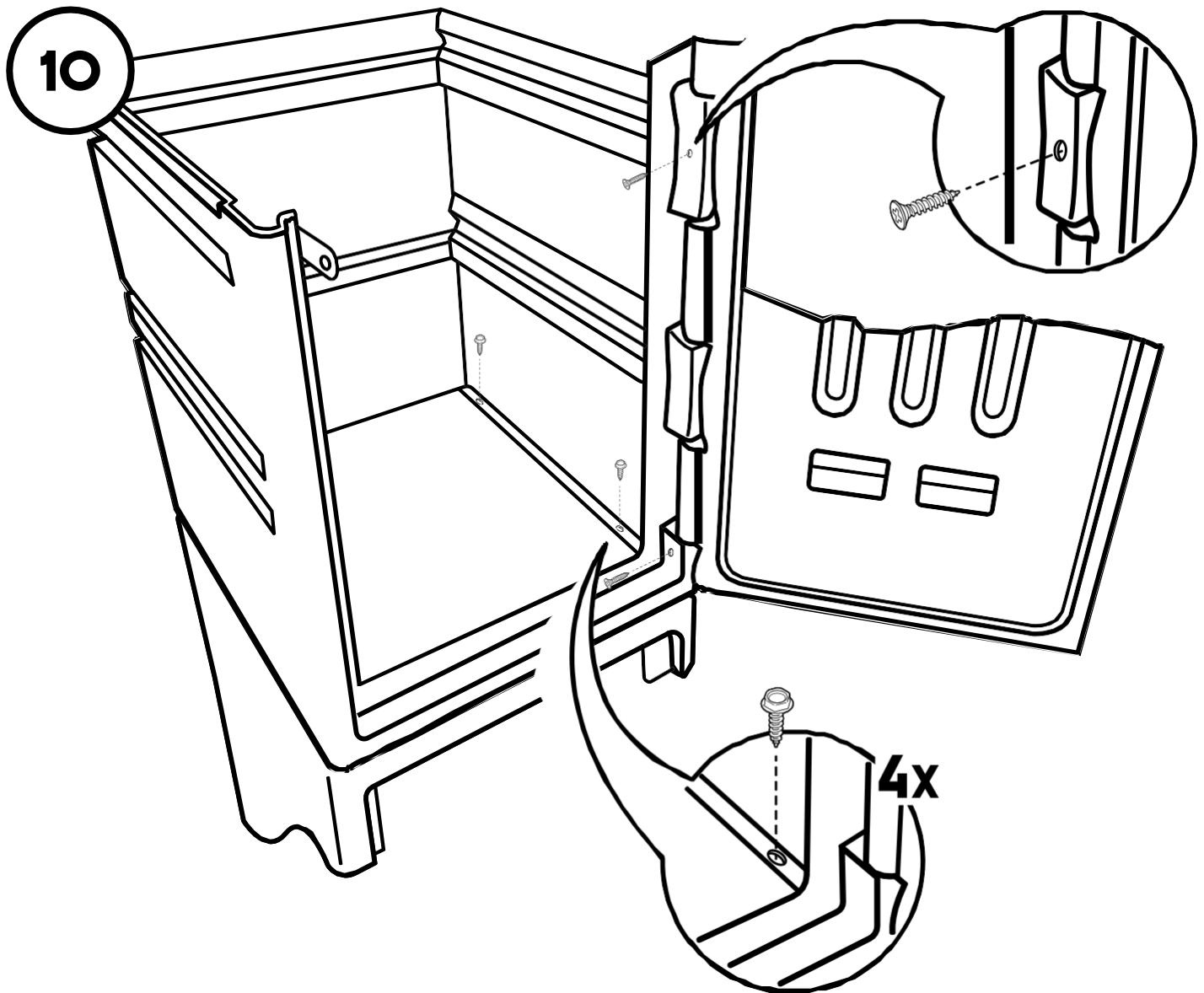
if sloping tops and kicker bases have been requested please refer to steps 1-4 for installation instructions.

STEP TEN:

**SECURE TOP LOCKERS TO BOTTOM LOCKERS
USING HEX SCREWS.**

**SECURE LOCKERS TOGETHER USING
COUNTER SUNK SCREWS IN TOP, BOTTOM
AND MIDDLE OF THE DOOR HINGES.**

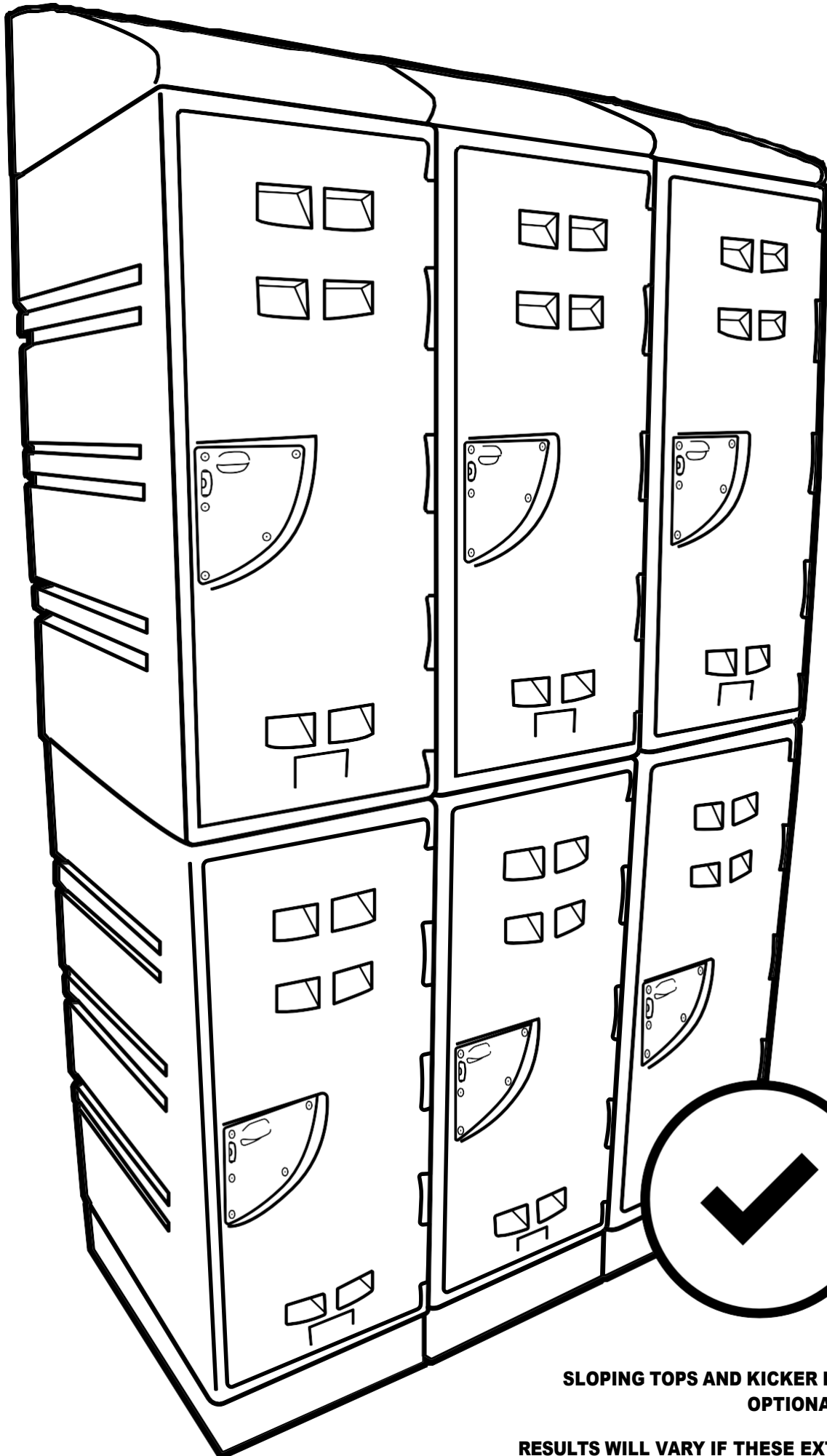
**THE AMOUNT OF SCREWS REQUIRED
WILL VARY BASED ON YOUR LOCKER
CONFIGURATION.**



NOTE:

**LARGE LOCKER BANKS
WILL REQUIRE ASSISTANCE
FOR ASSEMBLY.**

**PLEASE DO NOT ATTEMPT
TO LIFT OR MOVE JOINED
LOCKERS WITHOUT ASSISTANCE.**



NOTE:

**SLOPING TOPS AND KICKER BASES ARE
OPTIONAL EXTRAS.**

**RESULTS WILL VARY IF THESE EXTRAS HAVE
NOT BEEN REQUESTED.**

DISCLAIMER:

Please read all instructions before beginning installation.

These guidelines are provided in good faith to help prevent any problems caused by errors in installation.

The manufacturer of this product shall not be held responsible for installation actions taken or not taken.

There are many details of installation that are assumed to be general construction knowledge to experienced installers; which are not included in these instructions.

These installation guidelines are intended to be strictly recommendations and are not to serve as a step-by-step, fail-safe installation checklist.

Selection of an experienced installer is the sole responsibility of the project owner.

FSP Global Pty. Ltd. does not accept any responsibility for injury, product failure, damage, incorrect product operation, resulting from or associated with improper site conditions and evaluation due to incorrect installation.

NOTE:

Locker configurations may differ based on your specific order requirements.

INSTALLATION:

Ensure lockers are being installed on a flat, level surface.

Installation of locker banks on warped surfaces may cause irreparable damage to locker banks over time.

Items such as the sloping tops, and kicker bases may arrive pre-installed, if so disregard steps 1-4.

The installation guide is broken down into 10 simple steps, end results may vary dependent on locker configurations and order specifications.

ATTACHING LOCKERS TO WALLS/SURFACES:

Once the locker bank has been assembled, the onus of affixing the locker bank to any surface is on the business/organisation directly.

FSP does not provide materials or instructions for affixing locker banks to specific surfaces, as requirements will change dependent on the installation site.

Please conduct an adequate risk assessment before affixing a locker bank to your desired surface.

For further questions or queries do not hesitate to contact us directly.



Danmark:

Fuglebækvej 2 A, 1 th

2770 Kastrup

CVR nr. 3503 8981

Tlf.: +45 3251 0700

Mail: info@laidorz.dk

Norge:

Sletta Næringspark

Postboks 144, 1556 Son

Org.nr. 920 813 410

Tlf.: +47 9700 5420

Epost: as@laidorz.no

Føroyar:

100 Tórshavn

V-tal: 620416

Tlf.: +45 3251 0700

Teldupostur: info@laidorz.dk